



octoBox and Testbed Configurations

October 2016

+1.978.222.3114

305 Foster Street ° Littleton, MA 01460

info@octoscope.com



Tests Supported by Standard octoBox Testbed Configurations

See slides 7-12 for explanation of testbed configurations

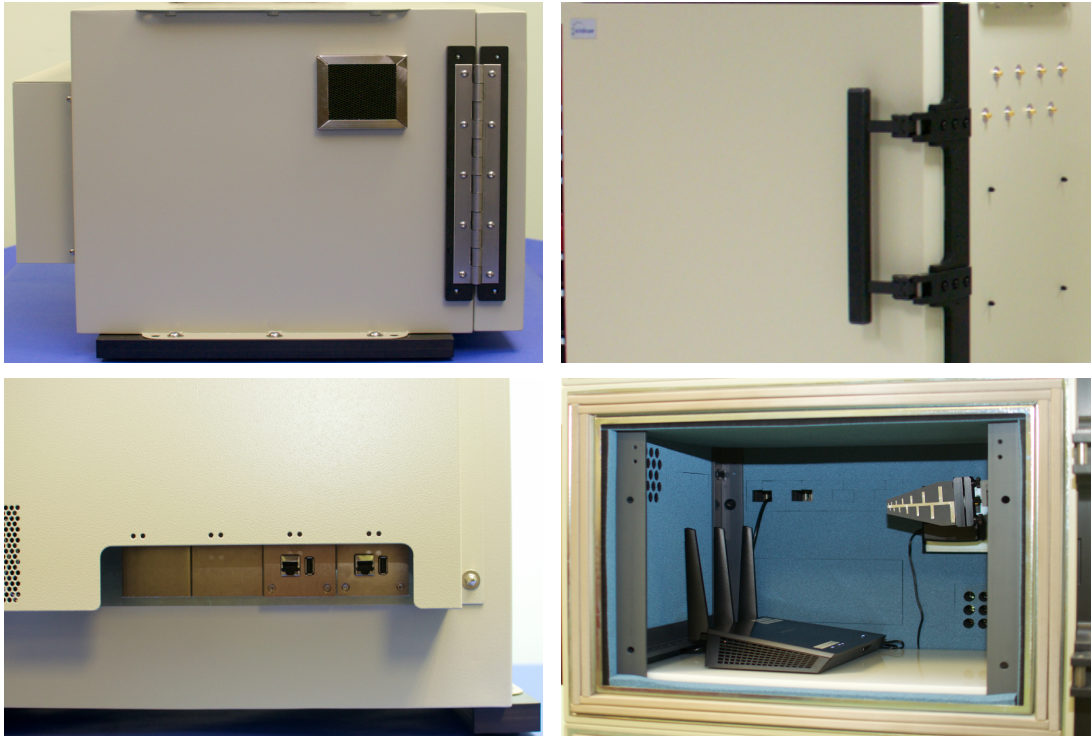
	PAL-26	PAL-38-TT	STACK-26	STACK-38P-TT
Throughput vs. range	Y	Y	Y	Y
Throughput vs. orientation		Y		Y
Throughput vs. interference	Y	Y	Y	Y
Channel adaptation	Y	Y	Y	Y
Data rate adaptation*	Y	Y	Y	Y
Mobility / roaming	Y with extra Pal+att	Y with Pal+att	Y with Pal+att	Y with Pal+att
Receiver performance*	Y	Y	Y with Pal+att	Y with Pal+att
Association capacity*	Y with vSTA	Y with vSTA	Y with Pal-vSTA	Y with Pal-vSTA
Packet error rate*	Y	Y	Y	Y
Forwarding rate*	Y with vSTA	Y with vSTA	Y with Pal-vSTA	Y with Pal-vSTA

Notes:

1. PAL testbeds are restricted to octoPal as the partner device; STACK testbeds use off-the-shelf partner device(s) and Pal(s) can be added if needed.
2. 'att' = quadAtten; 'Pal' = octoPal

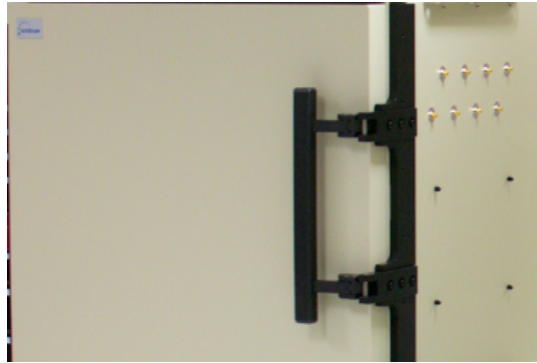
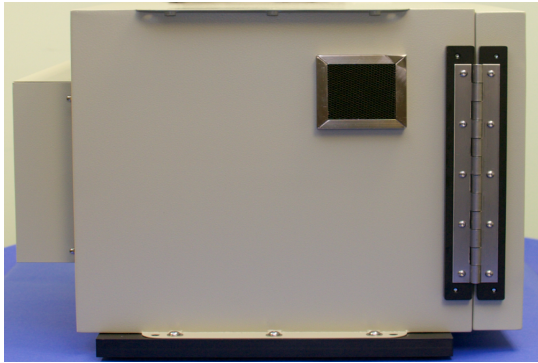
* Software upgraded coming soon

BOX-26



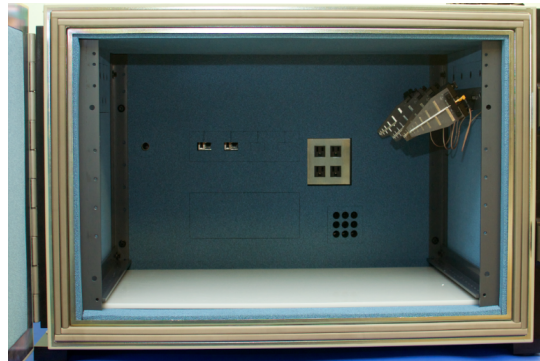
Outside Dimensions	18"H x 26.35"W x 25.2"D (45.7cm H x 67cm W x 64cm D)
Inside Dimensions	13.35"H x 19.35"W x 13.35"D (34cm H x 49cm W x 34cm D)
Weight	95 LBS (43 kg)
Web page:	BOX-26
Data filters	2 Ethernet + USB filters
RF ports	9 SMA; 1 F-connector
Waveguide	1
Antennas	High Gain antenna array

BOX-26-TT



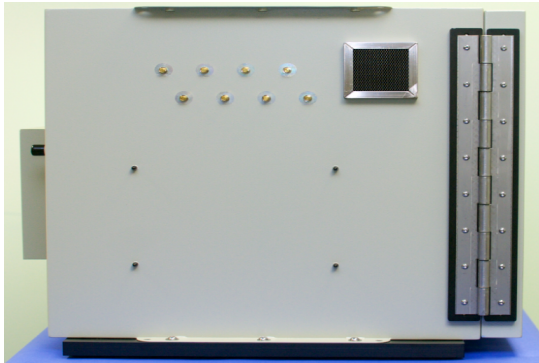
Outside Dimensions	18"H x 26.35"W x 25.2"D (45.7cm H x 67cm W x 64cm D)
Inside Dimensions	13.35"H x 19.35"W x 13.35"D (34cm H x 49cm W x 34cm D)
Weight	95 LBS (43 kg)
Web page	BOX-26
Data filters	2 Ethernet + USB filters
RF ports	9 SMA, 1 F-connector
Waveguide	1
Turntable	Center
Antennas	High Gain antenna array

BOX-38



Outside Dimensions	24"H x 38.35"W x 31.2"D (61cm H x 97cm W x 79cm D)
Inside Dimensions	19.35"H x 31.5"W x 21.5"D (49cm H x 80cm W x 54.6cm D)
Weight	172 LBS (78 kg)
Web page:	BOX-38
Data filters	2 Ethernet + USB filters
RF ports	17 SMA, 1 F-connector
Waveguide	1
Antennas	High Gain antenna array

BOX-38-TT

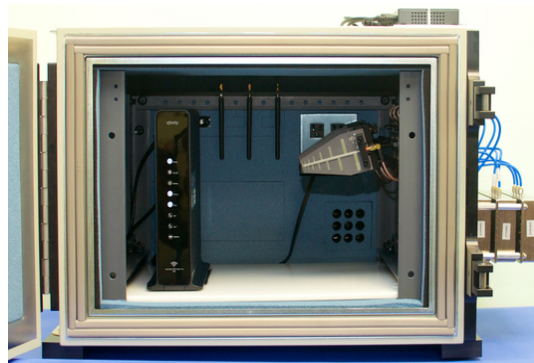
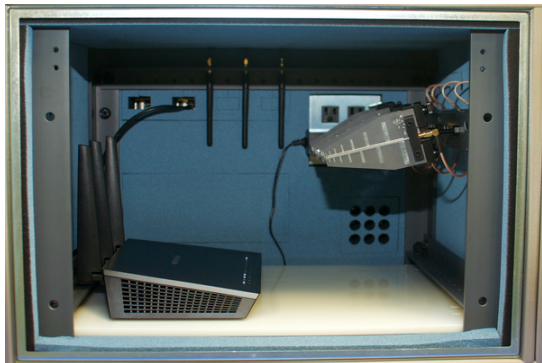


Outside Dimensions	24"H x 38.35"W x 31.2"D (61cm H x 97cm W x 79cm D)
Inside Dimensions	19.35"H x 31.5"W x 21.5"D (49cm H x 80cm W x 54.6cm D)
Weight	187 LBS (84.82 kg)
Web page:	BOX-38
Data filters	2 Ethernet + USB filters
RF ports	17 SMA, 1 F-connector
Waveguide	1
Turntable	Center
Antennas	High Gain antenna array ; MU-MIMO antenna array

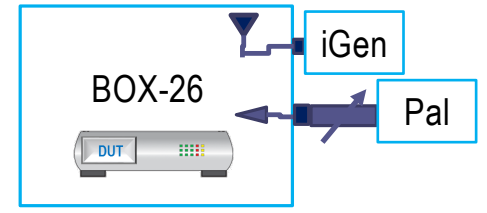


PAL-26

	US	Metric
outside Dimensions	18"H x 26.35"W x 25.2"D	45.7cm H x 67cm W x 64cm D
Inside Dimensions	13.35"H x 19.35"W x 13.35"D	34cm H x 49cm W x 34cm D
Weight	95 LBS	43 kg



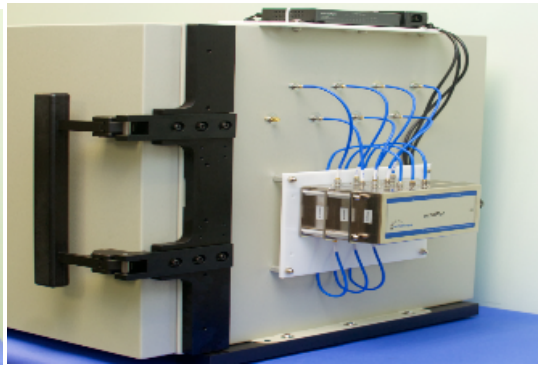
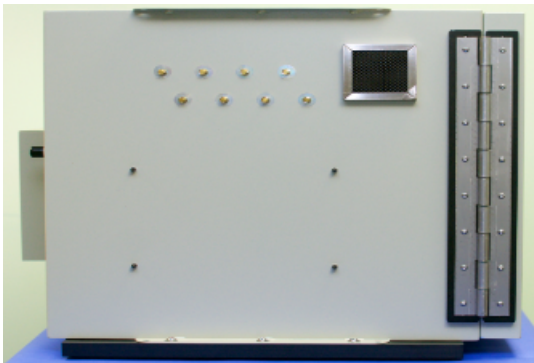
Components
BOX-26
OB-QUADATTEN
OB-OCTOPAL
OB-IGEN
Console PC
SW-THROUGHPUT software



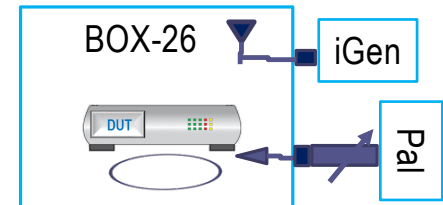


PAL-38-TT

	US	Metric
Outside Dimensions	24"H x 38.35"W x 31.2"D	61cm H x 97cm W x 79cm D
Inside Dimensions	19.35"H x 31.5"W x 21.5"D	49cm H x 80cm W x 54.6cm D
Weight	187 LBS	84.82 kg



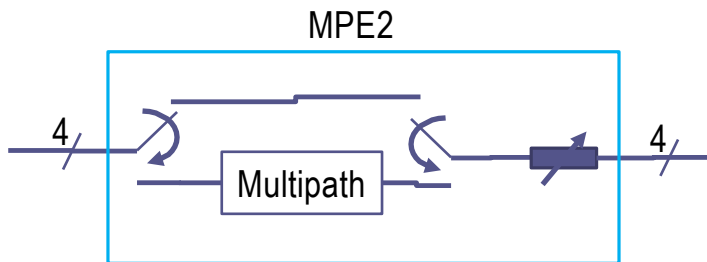
Components
BOX-38-TT
OB-QUADATTEN
OB-OCTOPAL
OB-IGEN
Console PC
SW-THROUGHPUT software





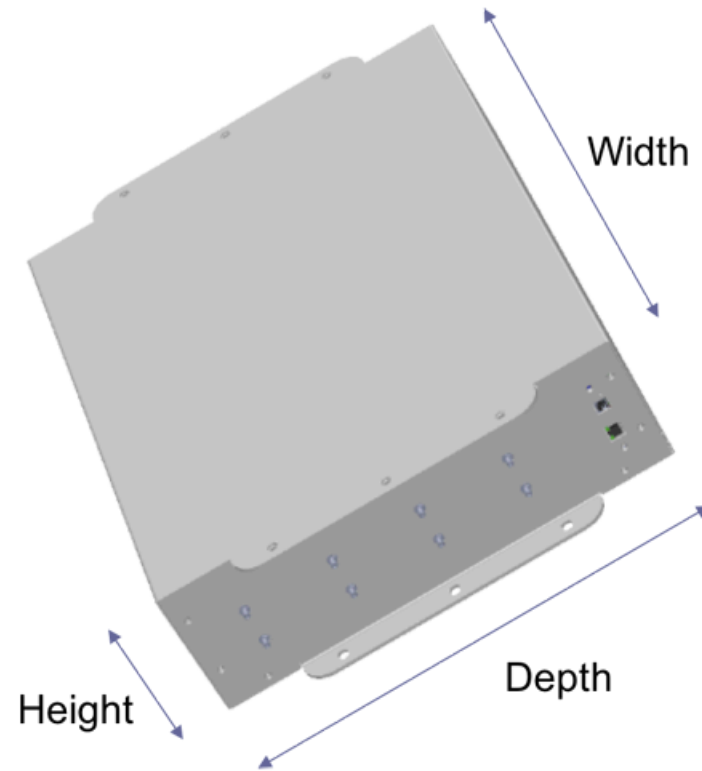
OB-MPE2

- Broadband (DC – 6 GHz) multipath emulator
- Accurately emulates a home channel model (IEEE 802.11 model B)
- Built-in bypass switch for LOS conditions
- Built-in programmable quadAtten programmable attenuators for range testing
- 4x4 MIMO link



LOS = line of sight
MPE = multipath emulator

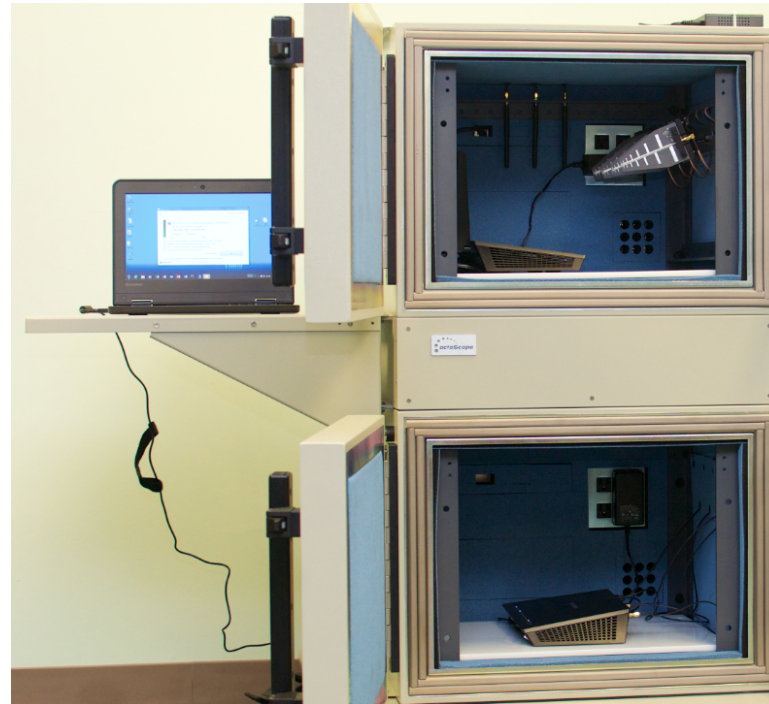
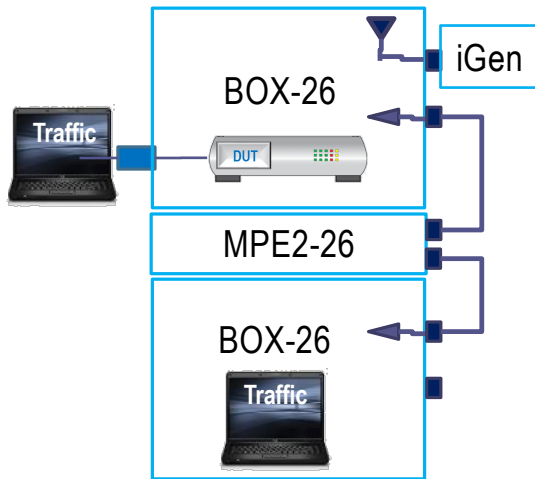
	US	Metric
OB-MPE2-26	26"W x 18"D x 5.5"H	66 x 46 x 14 cm
OB-MPE2-38	38"W x 24"D x 5.5"H	96 x 61 x 14 cm





STACK-26P

	US	Metric
Dimensions	48"H x 34"W x 28.5"D	1.2 m x 86cm W x 72cm D
Weight	328 LBS	148.78 kg

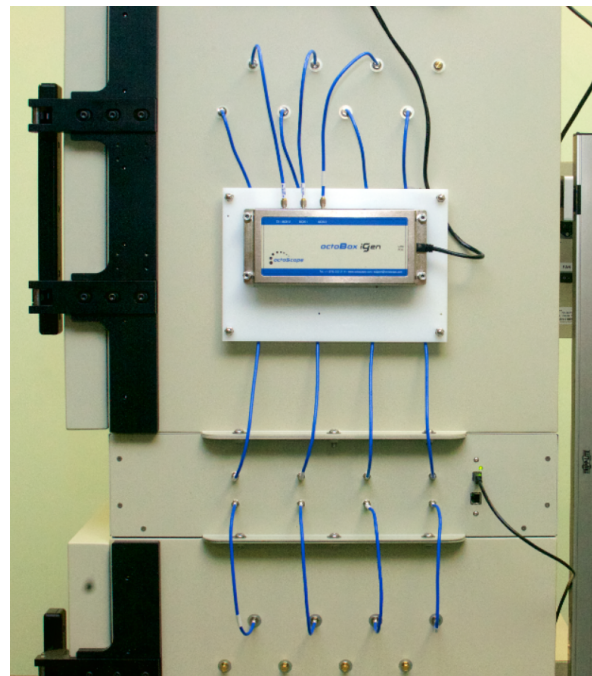
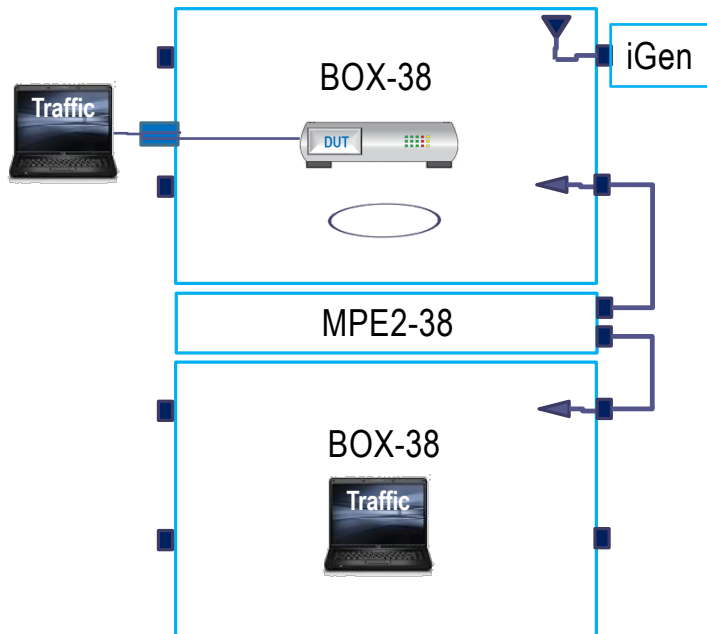


Components
BOX-26
BOX-26
OB-MPE2-26
OB-IGEN
OB-SHELF-26
OB-BASE-26
Console PC
SW-THROUGHPUT software



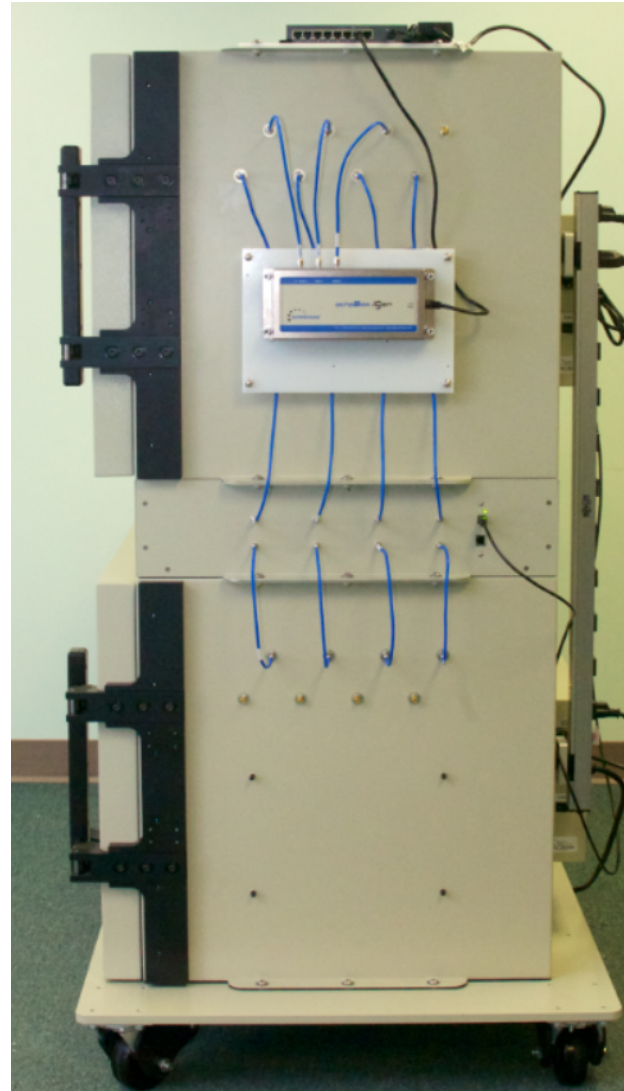
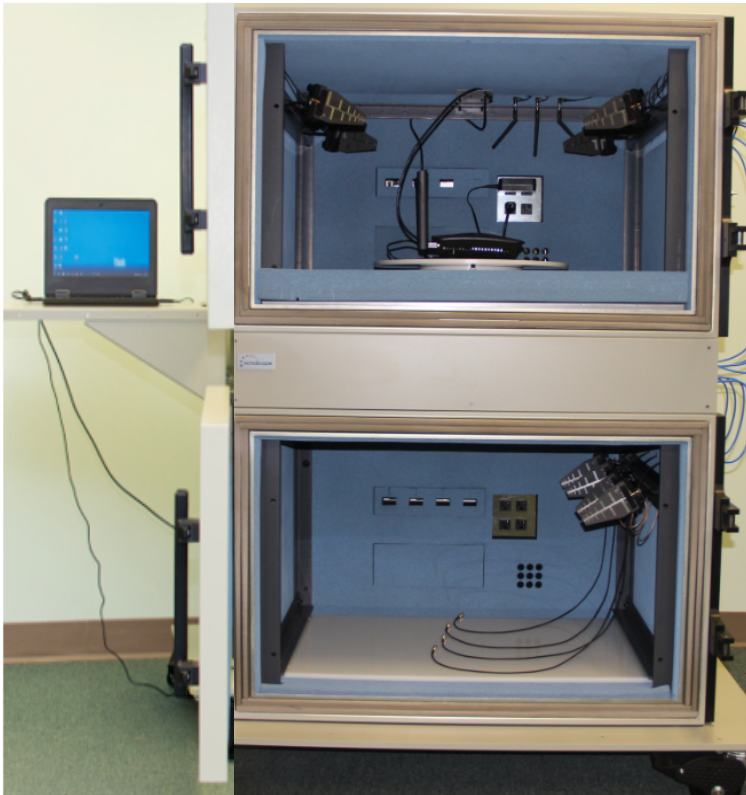
STACK-38P-TT

	US	Metric
Dimensions	61"H x 42"W x 30.5"D	1.54 m x 1.06m W x 77.47cm D
Weight	549 LBS	249.02 kg



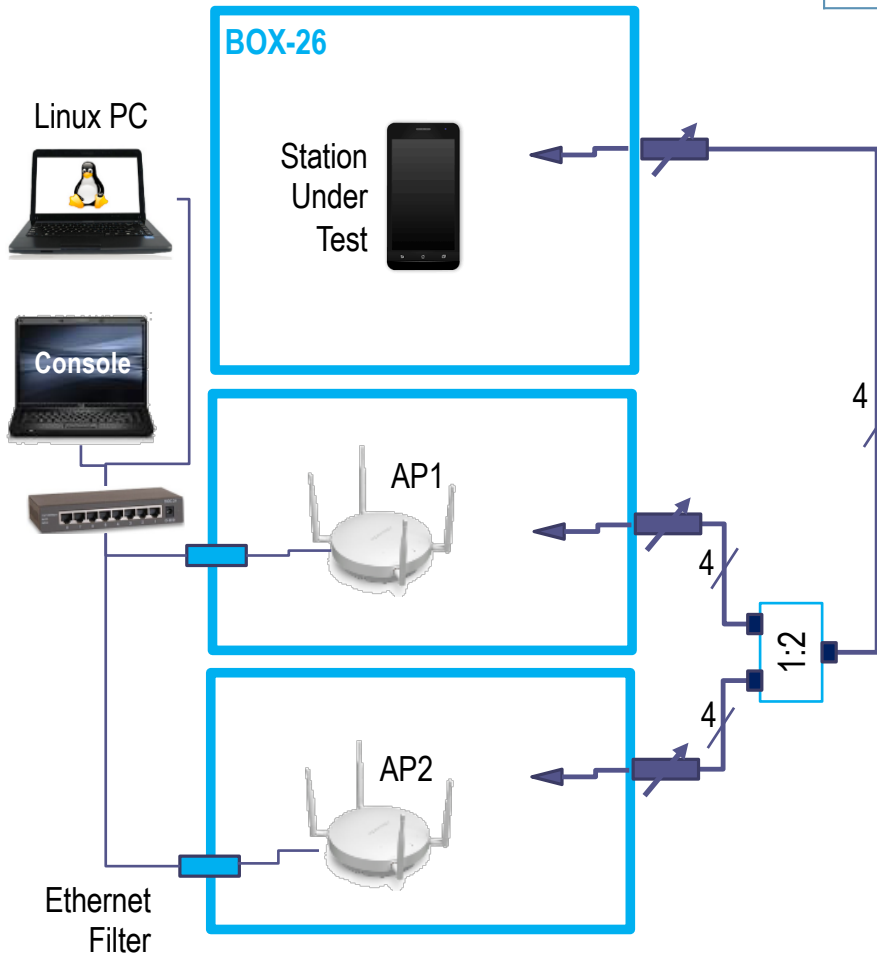
Components
BOX-38-TT
BOX-38
OB-MPE2-38
OB-IGEN
OB-SHELF-38
OB-BASE-38
Console PC
SW-THROUGHPUT software

STACK-38P-TT



STACK-ROAMING

	US	Metric
Dimensions	60.5"H x 34"W x 28.5"D	1.53m x 86.36cm x 72.39 cm
Weight	362.5 LBS	164.4 kg

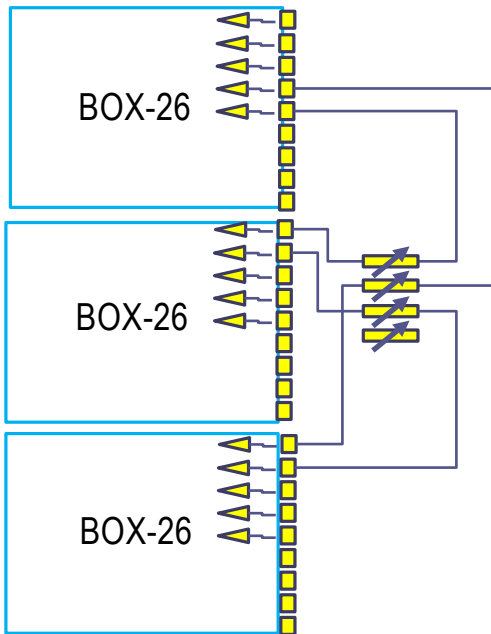


Components
BOX-26 x 3
OB-QUADATTEN x 3
OB-SHELF-26
OB-BASE-26
Console PC
Linux ping PC
SW-ROAMING software






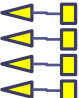






STACK-THREAD

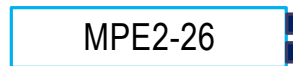
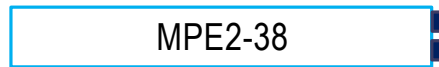
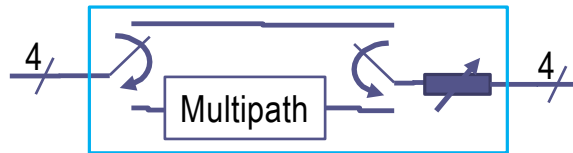
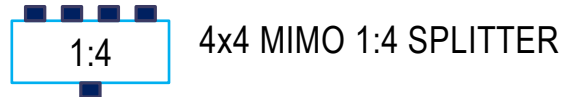
	US	Metric
Dimensions	60.5"H x 34"W x 28.5"D	1.53m x 86.36cm x 72.39 cm
Weight	362.5 LBS	164.4 kg



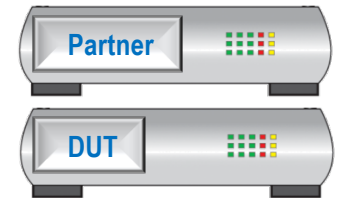
Components
BOX-26
BOX-26
BOX-26
OB-QUADATTEN
OB-BASE-26

Diagram Symbols

-  Dipole antenna
-  3 dipole antennas
-  4x4 high gain antenna module
-  4x4 high gain antenna module
-  4 SMA connectors
-  SMA connector
-  F connector
-  4 RF cables
-  1 RF cables
-  quadAtten



MPE2





Contact

sales@octoscope.com

Phone: +1.978.222.3114

Littleton, MA
USA

