

# Full Duplex Fast & Gigabit Ethernet Monitoring Mirror Port Replicator

## CS1G-C4G

Designed for cost effective connection and efficient monitoring your network:

### Rackmountable Quad Replicator TAP

This Replicator TAP is a straight forward solution. It replicates one (1) Input Line (SPAN or Mirrorport) to four (4) Monitor Output Port for various purposes:

- IDS (security) tools
- Packet Flow Switches
- Consolidating Tools
- Network Monitoring
- Protocol Analysis

Once in place it monitors full and half duplex communication and allows to drive up to four (4) various test equipment units with identical datastreams without breaking any circuits.

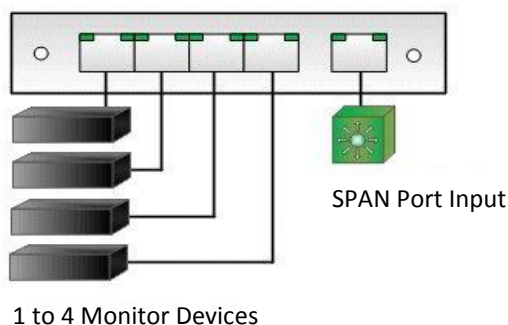
It replicates any packet size, any protocols and sees full traffic of TX and RX traffic received from a SPAN or Mirrorport.

- Non intrusive SPAN Port Monitoring
- No Package Loss
- Monitorports work at 100mtrs distance
- Galvanic separation for maximum protection
- Low power consumption
- Redundant power option
- All In and Out Ports at frontside
- Tested with major analysis & monitoring systems

### General Application:

For usage at 10/100/1000 SPAN port connected.

Simultaneously replicate/duplicates one (1) Input Port to four (4) Monitorports for different Hardware or Software Analyzer or any other Analysis Appliances:



### Available Model:

#### CS1G-C4G

10/100/1000 UTP In and Output

### Order Information:

CS1G-C4G Main Unit, rackmountable  
incl. external Powersupply  
incl. Manual

### Alternate Model:

#### SS1G-C4G

(= SPAN Input Port: SFP Socket 1GbE)

### Optional Accessoires:

1U Rack Frame (ARF-1U)  
Filling Plate (AFP1U)  
**extra** external Power Supply  
Redundancy (APWR2)

### Specification:

Connectors 5\* RJ45, 8 pin  
Powered by external Adapter: 100-240V/12V 0,5A  
Power consumption appr.: 0,35A  
Metal housing, structured black oven painted  
Operating Temperature: 0°C to 50°C  
Storage Temperature: -10°C to 80°C  
Humidity: 10% to 90%, none condensing

### Weight & Size:

Main unit 14.2 x 12.3 x 3 cm (WxDxH), 300 g

**Profitap HQ B.V.**

High Tech Campus 9  
5656 AE Eindhoven  
The Netherlands

**+31 (0) 40 782 0880**

[www.profitap.com](http://www.profitap.com)