

# ProfiShark 10G

## A Unique Solution for Fiber Network Troubleshooting

### Comprehensive Fiber Optic Field Testing & Monitoring

- **The ProfiShark 10G is a portable fiber optic TAP and troubleshooter, built on the successful FPGA-based design of the ProfiShark series. The ProfiShark 10G provides visibility into 10G fiber optic networks, directly to a USB 3.0 connection.**

Thanks to the ProfiShark series' signature compact design, the ProfiShark 10G can be easily transported on the field. Traffic capture and troubleshooting can be done with a laptop, or any computer with a USB 3.0 port. The ProfiShark 10G accepts any SR, LR, and ER SFP+ modules, and can function in both in-line and SPAN mode.

The ProfiShark 10G captures packets of all sizes and types. It also provides a wide assortment of hardware filters, statistics, and configuration options, through the ProfiShark Manager.



#### Features

- 10G fiber monitoring on USB 3.0
- USB 3.0 powered
- Hardware aggregation
- SPAN and In-Line modes
- Capture any type of frames
- Hardware filtering, deep packet inspection
- Packet slicing
- 8 ns hardware timestamp
- Customizable real time statistics
- In-depth network port diagnostic
- Low level error and bandwidth monitoring
- Direct capture to disk
- Invisible to the network

#### ProfiShark Manager

ProfiShark Manager is an application designed specifically for the ProfiShark series, for use in parallel with traffic analyzers (Wireshark, ClearSight, ...).

ProfiShark Manager provides:

- Customizable counters for statistical network traffic analysis and diagnostic
- SFP status information
- SPAN/In-line and loopback mode control
- Hardware filters and deep packet inspection
- Capture options (packet slicing, high resolution timestamping, CRC error transmission, CRC32 preservation)
- Direct capture to disk

**Connectors** 2 x SFP+ • 1 x USB 3.0 • 1 x 5 VDC optional input

**LEDs** 4 x Link/Activity • 1 x Power

**System requirements** Dual Core Processor • 4 GB memory • USB 3.0 port

**Supported OS** Windows 7 / 8 / 10 (32-bit & 64-bit) • Linux

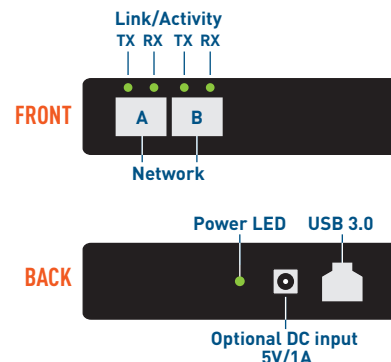
**Dimensions (WxDxH)** 105 x 124 x 26 mm • 4.13 x 4.88 x 1.02 in

**Weight** 280 g • 0.62 lb

**Accessories** 1.8 m USB 3.0 cable • Pouch • USB key

**Compliance** RoHS

#### Connection



**Profitap HQ B.V.**

High Tech Campus 9  
5656 AE Eindhoven  
The Netherlands

+31 (0) 40 782 0880

www.profitap.com