

# ProfiShark 1G+

## All-in-One Gigabit Ethernet Troubleshooter

The Ultimate Solution for Field Testing & Monitoring

- A full featured field service tool, compact and easy to use.**  
**All-in-one in a pocket-sized box, the only additional hardware required being a PC with a free USB 3.0 port, the ProfiShark 1G+ is the perfect tool for the field engineer as well as for long-term traffic collection. As it is based on USB 3.0 (5 Gbit/s), the ProfiShark 1G+ manages full-duplex Gigabit at wirespeed. The ProfiShark 1G+ is fitted with GPS and PPS input ports for advanced timestamping.**

**Features**

- 10/100/1G monitoring on USB 3.0
- USB 3.0 powered
- Fail-safe monitoring
- Hardware aggregation
- SPAN and In-Line modes
- Captures any type of frames (VLAN, VXLAN, MPLS, CRC error, Pause, Encapsulated, Short, Jumbo frames...)
- 8 ns hardware timestamp
- GPS-linked timestamping with PPS synchronization
- Real time statistics
- In-depth network port diagnostic and control
- Low level error and bandwidth monitoring
- Direct capture to disk
- Invisible to the network
- PoE compliant

**GPS Timestamping**

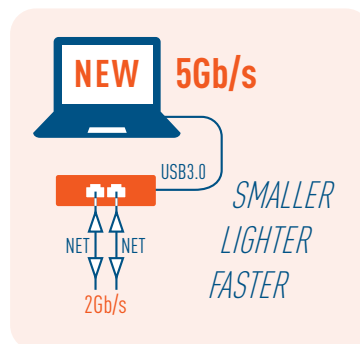
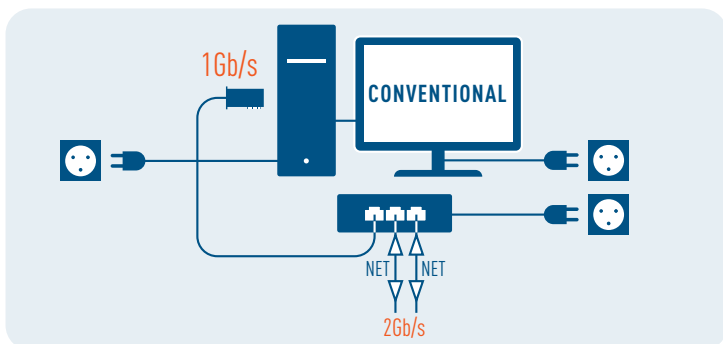
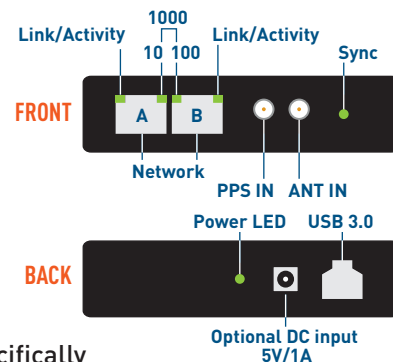
This feature allows real time analysis of aggregated and buffered traffic. It can tag packets with UTC-based, GPS-linked, nanosecond resolution timestamps (typical ± 16 ns precision). A PPS input is also possible for increased NTP-based timestamp precision.

**ProfiShark Manager**

The ProfiShark 1G+ includes ProfiShark Manager, an application designed specifically for the ProfiShark 1G+. Used in combination with other analysis software, it allows statistical network analysis and diagnostic, and provides configuration options for traffic capture, timestamping, port diagnostic, and port control.



**Connection**



<b>Connectors</b>	2 x RJ45 8 pins • 1 x SMA female (PPS) • 1 x SMA female (GPS) • 1 x USB 3.0 • 1 x 5 VDC optional input
<b>LEDs</b>	2 x Link/Activity • 2 x Speed • 1 x Sync • 1 x Power
<b>Max. Network Latency</b>	1 Gbps link: 370 ns • 100 Mbps link: 660 ns • 10 Mbps link: 6600 ns
<b>System requirements</b>	Dual Core Processor • 4 GB memory • USB 3.0 port
<b>Supported OS</b>	Windows 7 / 8 / 10 (32-bit & 64-bit) • Linux
<b>Dimensions (WxDxH)</b>	105 x 124 x 26 mm • 4.13 x 4.88 x 1.02 in
<b>Weight</b>	280 g • 0.62 lb
<b>Accessories</b>	GPS/GLONASS Antenna • 1.8 m USB 3.0 cable • RJ45 cable • Pouch • USB key
<b>Compliance</b>	RoHS

**Profitap HQ B.V.**

High Tech Campus 9  
5656 AE Eindhoven  
The Netherlands

**+31 (0) 40 782 0880**

[www.profitap.com](http://www.profitap.com)