



OX-MPO-12

Multi-fiber Optical Switch



The OX-MPO-12 is an ultra-compact, multi-fiber optical switch designed to operate with VeEX OTDRs. Optimized for high-density fiber test applications where MPO/MTP cables need to be tested using an OTDR equipped with a single fiber output.

Key Features

- 12-fiber optical switch for MPO/MTP fiber cable testing
- SC/APC input for OTDR connection
- Pinned MPO/APC output for MPO/MTP cable under test
- Protective dust caps for SC and MPO connectors
- Eliminates the requirement for multi-fiber break-out cables
- Powered/controlled over micro-USB interface by the OTDR
- Automated wizard procedure for patch-cord referencing
- Very fast boot-up time (<5 seconds)
- Rugged case design with impact resistant rubber bumpers
- Splash and dust resistant

Key Applications

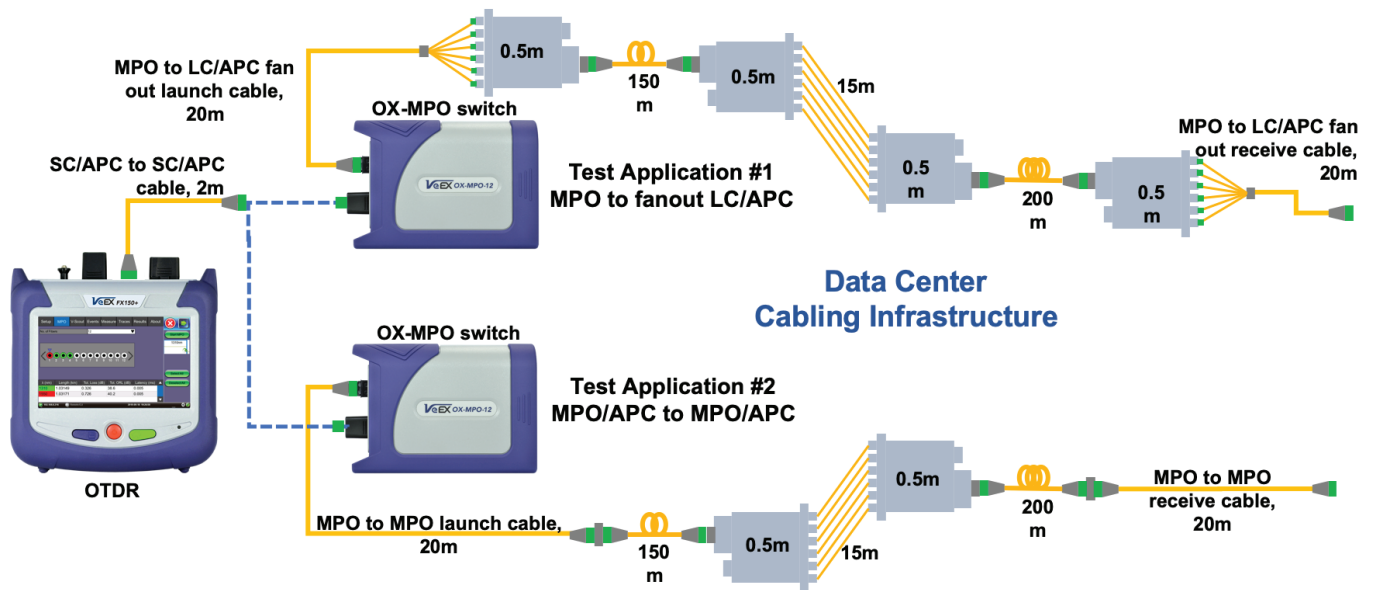
- Data center – Verify/troubleshoot structured cabling
- FTTH/Access Networks – Testing feeder cables between OLT and first splitter where MPO and/or ribbon fibers are used
- Wireless Fronthaul (FTTT/FTTA/C-RAN) – Testing MPO fiber links and connections to Base Band Unit (BBU)

Key Specifications

- Number of fibers: 12
- Singlemode (9/125 μm) operation
- Wavelength range: 1270 to 1650 nm
- Insertion loss*: <1.5 dB (Typical), <1.8 dB (Max)
- Repeatability: $\leq \pm 0.01$ dB
- Switching time: ≤ 30 ms (sequential channels)
- Input port: SC/APC
- Output port: Pinned MPO/APC, 12-fiber
- Optical Return Loss (ORL): ≥ 50 dB
- Weight: 450g (1lb)
- Power/Control: Via micro-USB interface from OTDR

Notes:

*Specified at operating temperature, without connector losses and measured at 1310 and 1550nm



VeEX Compatible OTDRs



General Specifications

Size:	128 x 134 x 40 mm (H x W x D)	OTDR connection:	Micro-USB cable
Weight:	<450 g (<1 lbs.)	LED Indicator:	Power
Construction:	Rugged, Polycarbonate chassis, 1 meter drop tested	Operating Temp:	-10 to +50°C (14 to 122°F)
Powering:	Micro-USB interface from OTDR	Storage Temp:	-20 to 60°C (-4 to 140°F)
		Humidity:	0% to 95%, non-condensing



VeEX Inc.
2827 Lakeview Court
Fremont, CA 94538 USA
Tel: +1.510.651.0500
Fax: +1.510.651.0505
www.veexinc.com
customer@veexinc.com

© 2020 VeEX Inc. All rights reserved.
VeEX is a registered trademark of VeEX Inc. The information contained in this document is accurate. However, we reserve the right to change any contents at any time without notice. We accept no responsibility for any errors or omissions. In case of discrepancy, the web version takes precedence over any printed literature.
D05-00-176P C00 2020/03