



## Ka Band Omnidirectional Antenna Mounting Fixture

### Description:

**Model SAX-ME1132-R1** is a 3" diameter mounting fixture designed specifically for mounting the omnidirectional antenna with integrated LNA. It is compatible with **SAO-2734031845-KF-C1-BL** and **SAO-2734033045-KF-C1-BL**. The fixture is designed with a removable magnetic base and a standard ¼-20 threaded hole for either a bolt-free mount on a metal surface or on convenient tripod mounting. In addition to magnetic base and tripod mounting, the fixture also features eight 4-40 threaded holes for mounting if the magnetic base is removed. The fixture is designed and fabricated with durable and microwave friendly plastic material to offer minimum reflection.



### Features:

- Low Microwave Interference
- Magnet for Iron Surface Mount
- ¼-20 Threaded Hole for Tripod Mount
- 4-40 Threaded Mounting (Magnet Base Removed)

### Applications:

- Antenna Range
- Test Lab

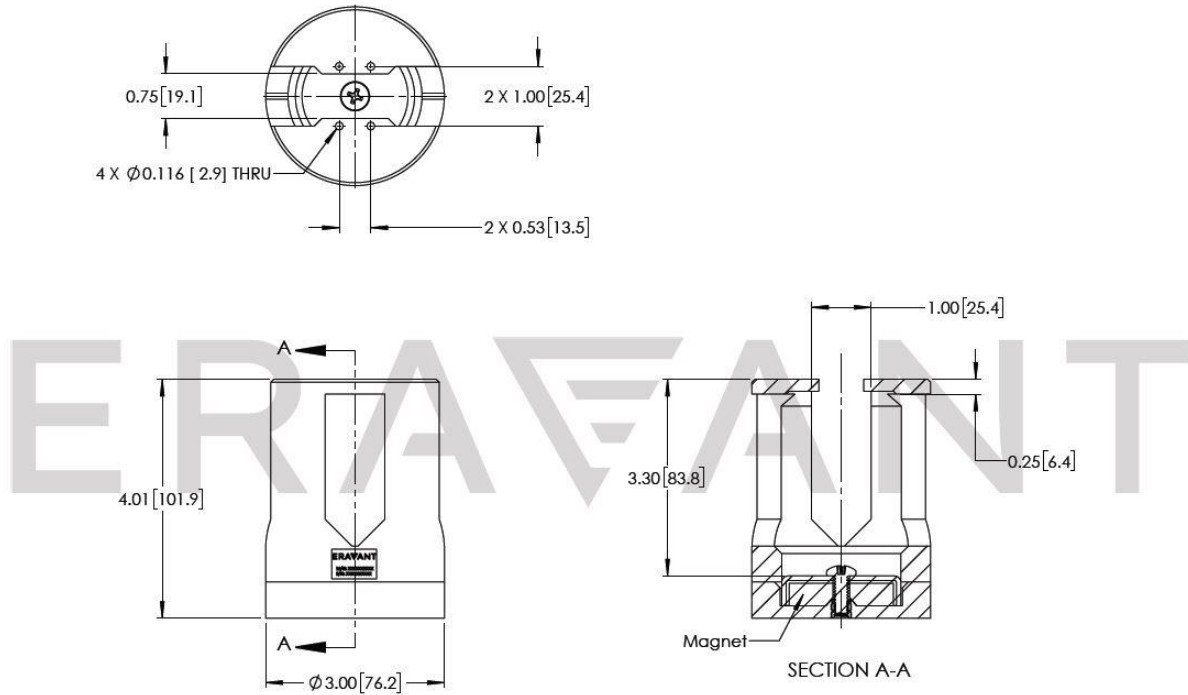
### Mechanical Specifications:

Item	Specification
Fixture Material	Plastic
Magnet Material	Nickel-Plated Neodymium
Magnet Case Material	Zinc-Plated Steel
Outline	AX-ME1132-R



## Ka Band Omnidirectional Antenna Mounting Fixture

**Mechanical Outline:** (Unless otherwise specified, all dimensions are in inches [millimeters])



### Note:

- Due to compact mount size and end-launch configuration of antenna, it is recommended to use right angle coax adapter **SCT-KFKM-U8-R** at antenna port.
- Eravant reserves the right to change the information presented without notice.

### Caution:

- Due to the strong magnet base present on the mounting fixture, please keep this product at least 3 feet away from any microwave products containing ferrite devices.



## Ka Band Omnidirectional Antenna Mounting Fixture

### Mounting Options:

#### A. Magnetic Base

Assemble the mount body, magnet and bottom base together as shown in the picture using the provided screws.

#### B. 4-40 Threaded Holes

Remove the bottom base and magnet to use the mount body's 8 x 4-40 UNC-2B holes for general mounting.

#### C. Tripod Mounting

Assemble the mount body and bottom base without the magnet using the provided screws to use the center 1/4-20 UNC-2B hole for tripod mounting.

